



## Molded Current Transformer

### Application

The JPC-865 is a molded, window type current transformer suitable for indoor or outdoor metering or protective relaying and control applications. The window is sized for use on 4" insulated bus bar or insulated cable. Primary current ranges from 400 Amps through 5000 Amps are available with continuous rating factors up to 2.0.

### Fabrication

All ITEC transformers utilize high permeability, low loss, grain orientated silicon steel cores to optimize performance and physical size of the transformers.

High grade insulation is used to insulate between the windings and the core and between winding layers. To achieve maximum mechanical and electrical performance, all windings or sections are evenly distributed around the periphery of the core. The transformer is encapsulated which provides an excellent mechanical protective body and long term dielectric performance.

The unit has 1/4"-20 secondary stud connections with hardware and removable shorting strip.

### Accuracy

JPC-865's are designed to provide 0.3% accuracy class when loaded with IEEE burdens of B0.1 through B1.8 and relay class up to C400 depending on ratio.

### Magnetic Circuits

The JPC-865 is available a single ratio or dual ratio configuration. Polarity marks are permanently molded into the transformer housing



### Mounting

The JPC-865 is provided with an aluminum mounting plate.

### Testing

Every transformer is tested in accordance with IEEE Standard C57.13 (latest revision). Standard tests include applied and induced voltage, accuracy, polarity.

Ratio	R.F.	Accuracy		Catalog Number	Ratio	R.F.	Accuracy		Catalog Number
		Relay	Metering				Relay	Metering	
400:5	2.0	C75	0.3 B0.1 – B0.2	C65S040H02H2H01	1500:5	2.0	C200	0.3 B0.1 – B1.8	C65S150H1822H01
600:5	2.0	C100	0.3 B0.1 – B0.5	C65S060H051H01	1600:5	2.0	C400	0.3 B0.1 – B1.8	C65S160H1824H01
800:5	2.0	C100	0.3 B0.1 – B0.9	C65S080H0912H01	2000:5	2.0	C400	0.3 B0.1 – B1.8	C65S200H1824H01
1000:5	2.0	C200	0.3 B0.1 – B1.8	C65S100H1822H01	2500:5	2.0	C400	0.3 B0.1 – B1.8	C65S250H1824H01
1200:5	2.0	C200	0.3 B0.1 – B1.8	C65S120H1822H01	3000:5	2.0	C400	0.3 B0.1 – B1.8	C65S300H1824H01

Other ratings and options may be available, please contact the factory with your requirements.

### Instrument Transformer Equipment Corporation

PO Box 129  
Monroe, NC 28110-0129  
[www.itec-ctvt.com](http://www.itec-ctvt.com)

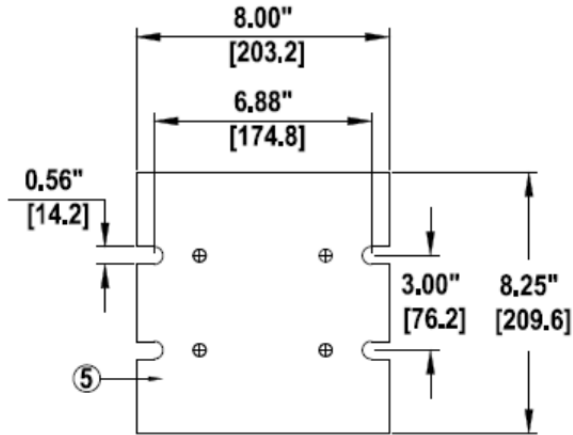
Tel: (704)-282-4331  
Fax: (704) 283-3017  
Email: [sales@itec-ctvt.com](mailto:sales@itec-ctvt.com)

Product Data  
JPC-865  
Current Transformer  
600 Volt Class  
10 kV BIL



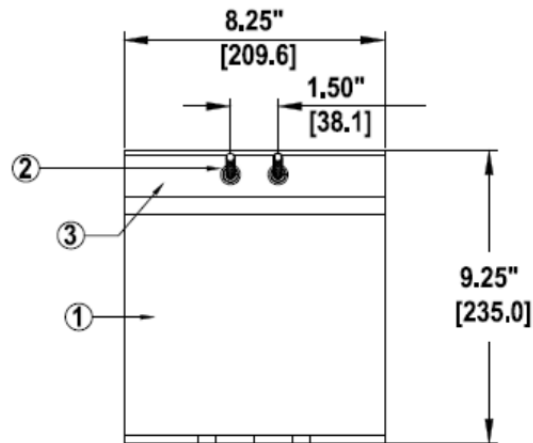
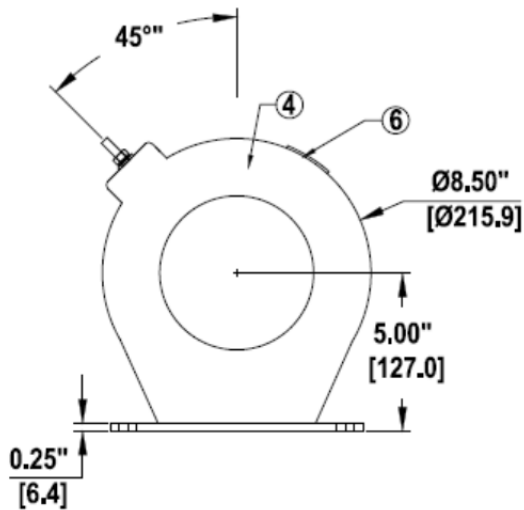
## Molded Current Transformer

### Dimensions and Details



### Notes:

1. Core and Coil Assembly
2. 1/4"-20 Secondary Terminal with hardware and shorting strip
3. X1 Polarity Mark – Painted White
4. H1 Polarity Mark – Painted White
5. Mounting Base
6. Nameplate



This information is subject to change without notice.  
ITEC is not responsible for typographical errors.

© Copyright 2015 Instrument Transformer Equipment Corporation

### Instrument Transformer Equipment Corporation

PO Box 129  
Monroe, NC 28110-0129  
[www.itec-ctvt.com](http://www.itec-ctvt.com)

Tel: (704)-282-4331  
Fax: (704) 283-3017  
Email: [sales@itec-ctvt.com](mailto:sales@itec-ctvt.com)