



Molded, Outdoor Current Transformer

Application

DDC-938 are rugged molded, outdoor, dry-type, current transformers suitable for fitting over bushings of power transformers, circuit breakers or pothead terminators.

The retrofit technique of adding monitoring to apparatus offers a large savings to installation of internal or free standing CT's. DDC's are available in a wide range of ratios and sizes depending on location, burden and accuracy requirements. They are available with a rating factor of 1.5 and 2.0 depending on ratio and accuracy required.

Fabrication

ITEC uses wound cores of high permeability and low loss electrical grade silicone steel that optimize performance and physical size of the transformers.

High grade insulation materials are used between the windings and the core and between winding layers. To achieve maximum mechanical and electrical performance, all windings or sections are evenly distributed around the periphery of the core.

The transformer is encapsulated utilizing polyurethane resin which provides an excellent mechanical protective body and long term dielectric performance in a wide range of temperatures and environments...

The secondary terminals are 1/4"-20 studs with hardware located in a terminal box with two conduit openings (1" NPT) and a cover plate for ease of electrical connection.

Accuracy

DDC's are available with relay accuracy of up to C800 and a metering accuracy of 0.3 B0.1...B1.8 is available depending upon ratio. Please consult factory for your specific application.

Magnetic Circuits

DDC's are available with single, dual and multi-ratio for meter and or relay accuracy. Please consult factory for your specific application.



Ground Shield

An aluminum ground shield is available and recommended anytime when the DDC is mounted near or in the strike distance of the apparatus bushing to protect the DDC from damage from flash-overs.

Mounting

The DDC-938 can be mounted using multiple hardware configurations. The standard mounting hardware assemblies consist of mounting brackets, threaded rod and hardware. The number of legs is determined by the overall weight of the DDC-938. When mounting the DDC directly on the cover of a power transformer rubber pads are available to space the transformer away from the cover to allow for water drainage. Engineered mounting solutions are available utilizing custom brackets and assemblies. Please consult the factory with your specific requirements.

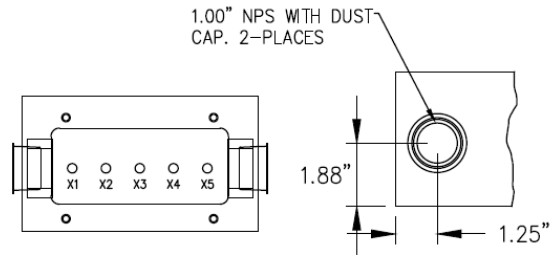
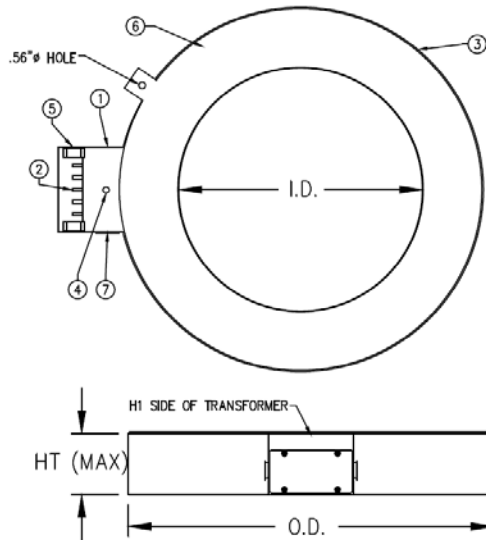
Testing

Every transformer is tested in accordance with IEEE Standard C57.13 (latest revision).

Product Data
 DDC-938
 Current Transformer
 600 Volt
 10 kV BIL

ITEC Instrument Transformer Equipment Corporation
Molded, Outdoor Current Transformer

Dimensions and Details



SECONDARY TERMINAL BOX DETAIL

Notes:

1. Nameplate
2. ¼"– 20 Secondary Terminals Inside Molded Terminal Box
3. Molded Core and Coil Assembly
4. H1-Polarity Mark Molded and Painted White
5. Molded Terminal Box with 2-1.0" NPS Hubs
6. Ground Shield

| Ratio | Accuracy Class | Rating Factor | I.D. | O.D. | HT | Approximate Weight | Catalog Number | Catalog Number w/ Ground Shield |
|--------|----------------|---------------|------|------|------|--------------------|-----------------|---------------------------------|
| 600:5 | C800 | 2.0 | 12" | 22" | 7" | 440 | D12M060C8002HT0 | D12M060C8002HT1 |
| | C800 | 2.0 | 18" | 28" | 8" | 550 | D18M060C8002HT0 | D18M060C8002HT1 |
| | C800 | 2.0 | 20" | 30" | 8" | 580 | D20M060C8002HT0 | D20M060C8002HT1 |
| | C800 | 2.0 | 24" | 34" | 8" | 660 | D24M060C8002HT0 | D24M060C8002HT1 |
| | C800 | 2.0 | 30" | 40" | 8" | 800 | D30M060C8002HT0 | D30M060C8002HT1 |
| 1200:5 | C800 | 2.0 | 12" | 22" | 5" | 240 | D12M120C8002HT0 | D12M120C8002HT1 |
| | C800 | 2.0 | 18" | 28" | 5" | 325 | D18M120C8002HT0 | D18M120C8002HT1 |
| | C800 | 2.0 | 20" | 30" | 5" | 340 | D20M120C8002HT0 | D20M120C8002HT1 |
| | C800 | 2.0 | 24" | 34" | 5" | 390 | D24M120C8002HT0 | D24M120C8002HT1 |
| | C800 | 2.0 | 30" | 40" | 5" | 470 | D30M120C8002HT0 | D30M120C8002HT1 |
| 2000:5 | C800 | 2.0 | 12" | 22" | 3.5" | 160 | D12M200C8002HT0 | D12M200C8002HT1 |
| | C800 | 2.0 | 18" | 28" | 3.5" | 200 | D18M200C8002HT0 | D18M200C8002HT1 |
| | C800 | 2.0 | 20" | 30" | 3.5" | 220 | D20M200C8002HT0 | D20M200C8002HT1 |
| | C800 | 2.0 | 24" | 34" | 3.5" | 250 | D24M200C8002HT0 | D24M200C8002HT1 |
| | C800 | 2.0 | 30" | 40" | 3.5" | 295 | D30M200C8002HT0 | D30M200C8002HT1 |
| 3000:5 | C800 | 1.5 | 12" | 22" | 3.5" | 160 | D12M300C800LHT0 | D12M300C800LHT1 |
| | C800 | 1.5 | 18" | 28" | 3.5" | 205 | D18M300C800LHT0 | D18M300C800LHT1 |
| | C800 | 1.5 | 20" | 30" | 3.5" | 225 | D20M300C800LHT0 | D20M300C800LHT1 |
| | C800 | 1.5 | 24" | 34" | 3.5" | 255 | D24M300C800LHT0 | D24M300C800LHT1 |
| | C800 | 1.5 | 30" | 40" | 3.5" | 300 | D30M300C800LHT0 | D30M300C800LHT1 |

This information is subject to change without notice.
 ITEC is not responsible for typographical errors.

© Copyright 2016 Instrument Transformer Equipment Corporation

Instrument Transformer Equipment Corporation

PO Box 129
 Monroe, NC 28110-0129
www.itec-ctvt.com
ctvt.com

Tel: (704)-282-4331
 Fax: (704) 283-3017
 Email: [sales@itec-](mailto:sales@itec-ctvt.com)