

MTO 110-150-200
OIL-FILLED
DISTRIBUTION



**Instrument Transformer
 Equipment Corporation**

METERING UNIT

MTO 110-150-200
OIL-FILLED
SUBSTATION

MTO 110-150-200		Last three digits indicate options						Three Phase Oil-filled Current / Voltage					
Voltage	15 Kv			25 Kv			34. Kv			34.5 Kv			
	BIL kV	Turns Ratio	VT Ratio	BIL kV	Turns Ratio	VT Ratio	BIL kV	Turns Ratio	VT Ratio	BIL kV	Turns Ratio	VT Ratio	
	110	60:1	7200:120	150	120:1	14400:120	150	175:1	20125:115	200	175:1	20125:115	
Current	Catalog ID			Catalog ID			Catalog ID			Catalog ID			
10/20:5	PC201100020C000			PB201500020C000			PA201500020C000			PA202000020C000			
25/50:5	PC201100050C000			PB201500050C000			PA201500050C000			PA202000050C000			
50/100:5	PC201100100C000			PB201500100C000			PA201500100C000			PA202000100C000			
75/150:5	PC201100150C000			PB201500150C000			PA201500150C000			PA202000150C000			
100/200:5	PC201100200C000			PB201500200C000			PA201500200C000			PA202000200C000			
150/300:5	PC201100300C000			PB201500300C000			PA201500300C000			PA202000300C000			
200/400:5	PC201100400C000			PB201500400C000			PA201500400C000			PA202000400C000			
* 300/600:5	PC201100600C000			PB201500600C000			PA201500600C000			PA202000600C000			

Note: All VT characteristic accuracy: 0.3 @W,X, Y, Z, ZZ
 All Rating Factors are for 30°C amb & VT VA 4000 - 6000.

All CT characteristic accuracy: 0.3 @B0.1..B1.8 on both ratios.
 * CT rating factors 1.5 below 300/600:5, at 300/600:5 is 1.0.

Application

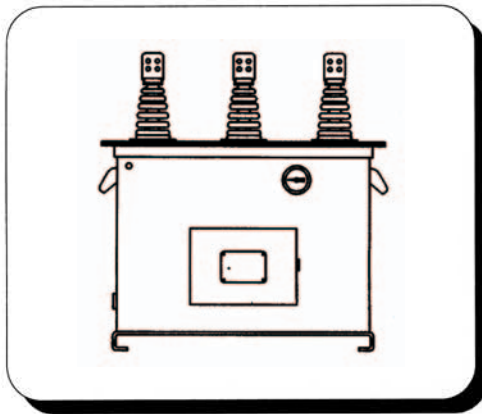
Type MTO transformers are three phase combined CT/VT metering class units designed to provide metering accuracy at 0.3% when loaded with IEEE burdens through ZZ for VT sections and B0.1..B1.8 for CT sections. They are oil filled and hermetically sealed with a dry Nitrogen cushion. This unit is suitable for pole or platform mounting.

Fabrication

Standard transformer tanks are manufactured from mild steel, protected with a latest technology powder coated exterior finish suitable for withstanding the most rigorous environmental conditions. Stainless steel components are available for special order needs. Porcelain clad bushings are one-piece wet process type designed to exceed IEEE standard creep and strike distances.

Magnetic circuits

All ITEC metering transformers use high grade highly permeable silicon steel cores. Repeatability of accuracy performance from one transformer to another is dependent on consistent performance of quality core steel.



Drying and impregnation

In order to achieve the highest possible insulation integrity, units are dried out and impregnated with oil under vacuum to minimize moisture content. Dissipation factor readings are checked on each unit at final test to insure proper drying has been achieved.

Primary terminals

The standard terminal for ITEC metering MTO model transformers is a 4-hole NEMA spade. Cable clamp type may be used to satisfy lower current requirements.

Secondary terminals

Secondary terminations are brought into the low voltage compartment and secured to low voltage block terminations for convenient connections. The low voltage compartment is suitably weatherproofed to maintain dry connections.

Testing

Every transformer is tested in accordance with IEEE STD C57.13 (Latest revision). In addition, ITEC tests each unit in accordance with NEMA 107. Extinction levels are required to be a minimum of 35% above operating voltage for all transformers.

Ground connections

Each transformer is supplied with a NEMA 2-hole ground pad.

Nameplate information

In addition to the nameplate, ratio information is stenciled onto the tank wall in 2" high numerals for remote reading.

OIL-17

Instrument Transformer Equipment Corporation, PO Box 23088, Charlotte NC 28227-0272

Tel: (704) 282-4331

www.itec-ctvt.com

fax : (704) 283-3017

E-mail sales@itec-ctvt.com

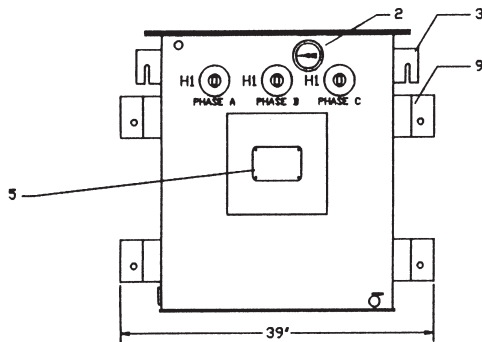
MTO 110-150-200
OIL-FILLED
DISTRIBUTION



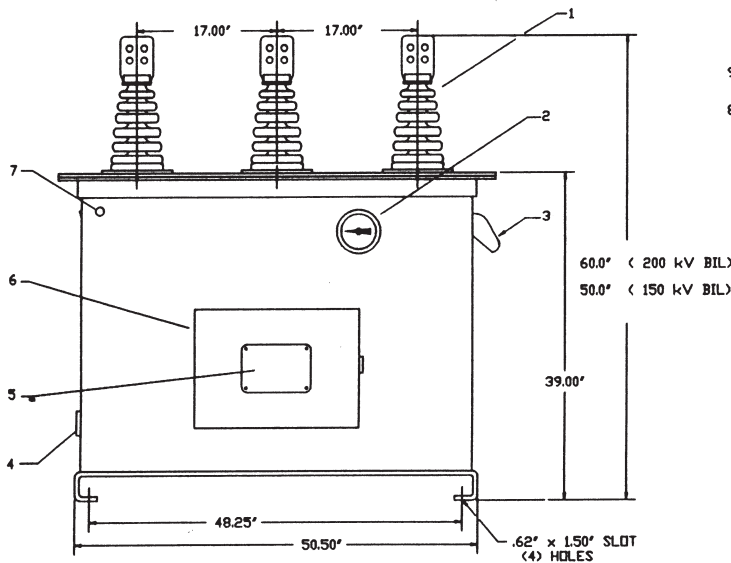
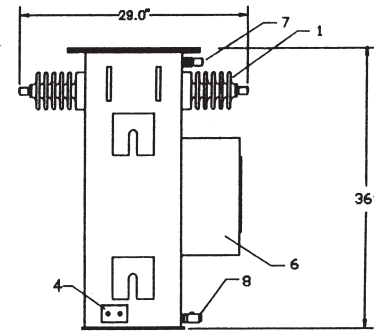
Instrument Transformer
Equipment Corporation

METERING UNIT

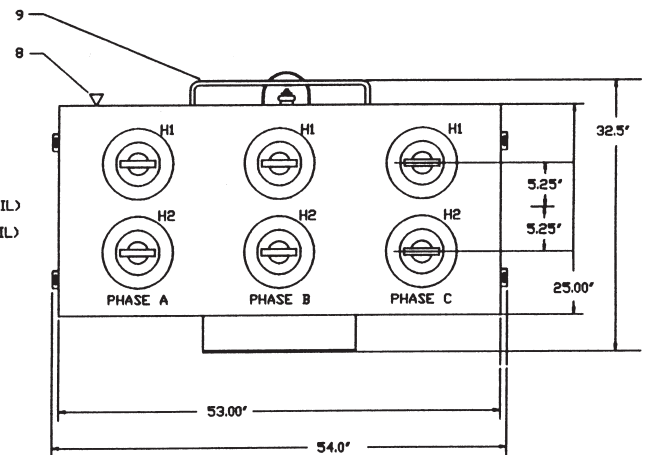
MTO 110-150-200
OIL-FILLED
SUBSTATION



MTO 110



MTO 150-200



This information is subject to change without notice. Not responsible for typographical errors.

Specifications

BIL kV	110	150	200
Weight (lbs)	980	1400	2000
Min. Creep	17"	17"	26.5"
Min. Strike	8"	8"	12"

Description

- | | |
|---------------------------------------|---|
| 1. High voltage bushing Ansi 70 gray. | 6. Secondary terminal box with swing door (right to left). |
| 2. Oil level indicator. | 7. Pressure relief valve. |
| 3. Lifting ears. | 8. Drain valve. |
| 4. NEMA 2 hole ground pad. | 9. Hanger brackets. |
| 5. Stainless steel nameplate. | |

OIL-18 The MTO unit offers improved installation speed and lower total cost.

Instrument Transformer Equipment Corporation, PO Box 23088, Charlotte NC 28227-0272

Tel: (704) 282-4331

www.itec-ctvt.com

FAX: (704) 283-3017

E-mail sales@itec-ctvt.com