

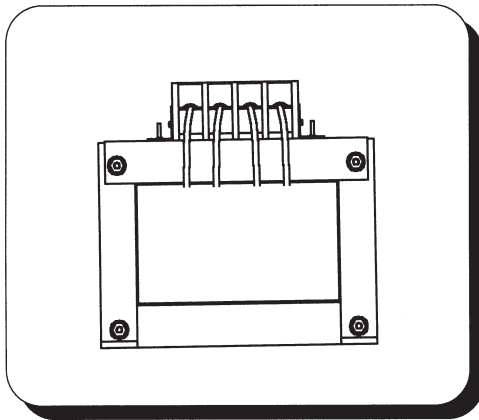
Auxiliary Voltage Transformer
480:6.3 volts through 6.3:480 volts

Application

GEH-941 and GEH-942 indoor or enclosure mounted auxiliary voltage transformer specifically designed to provide the ability to change effective ratios of existing VTs by connecting across the output of a main VT. They are suitable for both meter and relay applications. The **GEH-941** is available up to 250 VA and 0.6 @ X, this range is extended by the **GEH-942** series up to 500 VA and 0.6 @ X. These designs are conservative and offer superior characteristics to insure solid performance in their intended applications. This unit is also well suited for switchgear assemblies, controllers, general voltage sensing, and monitoring.

Fabrication

The core is made of grain oriented silicon steel laminations. Primary and secondary windings are wound type made of 100% copper and assembled with the core prior to impregnation. Impregnation provides protection from moisture as well as improving the dielectric performance. Primary and secondary windings are terminated at a top mounted terminal block. Connection markings are clearly identified on the terminal block. This product may be mounted in any position.



Accuracy

GEHs are available with single ratios for meter accuracy of 0.6 @ X or with taps for control or relay applications. Performance of the correctly specified **GEH** will insure desired monitoring or relay operation. VA ratings normally range from 50 VA up to 500 VA in steps of 50, 100, 150, 200 250 and 500.

Testing

Every transformer is tested in accordance with IEEE STD C57.13. (Latest revision) Both meter and relay type voltage transformers are checked for ratio accuracy at various stages of manufacture. Test comparisons are made with standards traceable to NIST to validate ratio accuracy performance for meter VTs.

Specification Requirements

When specifying **GEHs** the following information is useful to the design engineer in satisfying your needs:

1. Ratio (Note: Many non-standard and unusual ratios are available to provide ratio matching for each application need.)
2. Primary and Secondary Voltages.
3. Step-up, Step-down or Isolation configuration.
4. Accuracy and burden rating i.e.
Meter: 0.6@ X.
5. Mounting needs and space available.

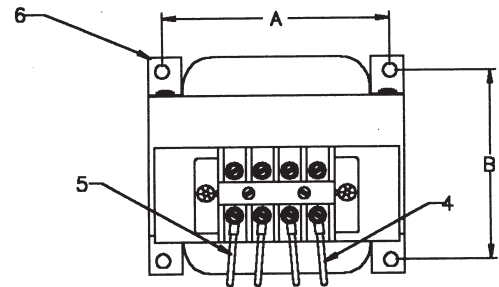
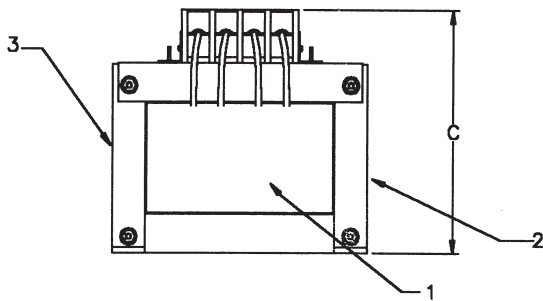
Consult factory when your needs are for ratios or performance that is higher or lower than those listed on the reverse of this sheet.

600-9



Auxiliary Voltage Transformer
480 : 6.3 volts through 6.3 : 480 volts

Voltage	Ratio	GEH-941		GEH-942	
		50 VA	100 VA	200 VA	500 VA
480 : 480	1 :1	AP7201X06V05H01	AP7202X06V10H01	AV8503X06V20H01	AV8504X06V50H01
480 : 240	2 :1	AP7206X06V05H01	AP7207X06V10H01	AV8508X06V20H01	AV8509X06V50H01
480 : 120	4 :1	AP7211X06V05H01	AP7212X06V10H01	AV8513X06V20H01	AV8514X06V50H01
277 : 277	1 :1	AP7216X06V05H01	AP7217X06V10H01	AV8518X06V20H01	AV8519X06V50H01
277 : 120	2.3 :1	AP7221X06V05H01	AP7222X06V10H01	AV8523X06V20H01	AV8524X06V50H01
277 : 115	2.4 :1	AP7226X06V05H01	AP7227X06V10H01	AV8528X06V20H01	AV8529X06V50H01
240 : 240	1 :1	AP7231X06V05H01	AP7232X06V10H01	AV8533X06V20H01	AV8534X06V50H01
240 : 120	2 :1	AP7236X06V05H01	AP7237X06V10H01	AV8538X06V20H01	AV8539X06V50H01
208 : 120	1.73 :1	AP7241X06V05H01	AP7242X06V10H01	AV8543X06V20H01	AV8544X06V50H01
120 : 120	1 :1	AP7246X06V05H01	AP7247X06V10H01	AV8548X06V20H01	AV8549X06V50H01
120 : 69.6	1.73 :1	AP7251X06V05H01	AP7252X06V10H01	AV8553X06V20H01	AV8554X06V50H01
69.6 : 120	.58 :1	AP7256X06V05H01	AP7257X06V10H01	AV8558X06V20H01	AV8559X06V50H01
120 : 208	.58 :1	AP7261X06V05H01	AP7262X06V10H01	AV8563X06V20H01	AV8564X06V50H01
120 : 240	.5 :1	AP7266X06V05H01	AP7267X06V10H01	AV8568X06V20H01	AV8569X06V50H01
115 : 277	.42 :1	AP7271X06V05H01	AP7272X06V10H01	AV8573X06V20H01	AV8574X06V50H01
120 : 277	.43 :1	AP7276X06V05H01	AP7277X06V10H01	AV8578X06V20H01	AV8579X06V50H01
120 : 480	.25 :1	AP7281X06V05H01	AP7282X06V10H01	AV8583X06V20H01	AV8584X06V50H01
240 : 480	.5 :1	AP7286X06V05H01	AP7287X06V10H01	AV8588X06V20H01	AV8589X06V50H01



This information is subject to change without notice. Not responsible for typographical errors.

Specifications (Typical)

Model	GEH-941	GEH-942
VA Rating	100 VA	500 VA
A = W	5	6.5
B = L	Varies	Varies
C = H	5.7	7.7
Weight (lbs)	Varies	Varies

Description

1. Winding assembly.
2. Core.
3. Nameplate.
4. Secondary connection.
5. Primary connection.
6. Mounting location.

Note: Internal burden information is available by contacting the factory.

600-10

GEH is good for isolation, step-up or step-down needs. Contact factory for extra details.

Instrument Transformer Equipment Corporation, PO Box 23088, Charlotte NC 28227-0272

Tel: (704) 282-4331

www.itec-ctvt.com

Fax: (704) 283-3017

Email sales@itec-ctvt.com