

Recloser Current Transformer
200:5 amperes through 1,200:5 amperes

Application

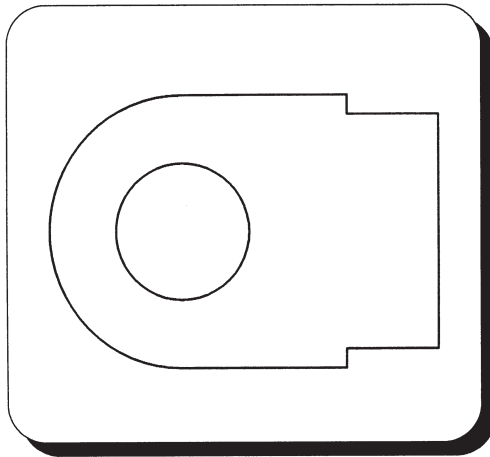
JRS 907 Indoor / outdoor current transformer specifically designed for the user who needs current readings for either monitoring or relay applications at recloser locations. This unit is ideal for use when mounted over a bushing shank. Also, installation on an insulated bus or cable can easily be made with this rugged unit. **The JRS** provides meter or relay accuracy as specified in the related data tables. Based on need the, **JRS** is available up to 1,200 amperes.

Fabrication

The core is made of a toroidally wound grain oriented high permeability silicon steel having low losses to optimize performance and physical size of the transformer. Secondary windings insulated with high grade insulation are made of 100% copper wire and assembled on to the core prior to molding. Clearly identified secondary winding terminations are typically 1/4-20 secondary stud connections in a terminal box

with two conduit openings (1" NPT) and a cover-plate for ease of installation. Secondaries are shorted before shipment for protection and should be

removed when the unit is placed in service. **JRSs** may be mounted in any position. The transformer is encapsulated which provides an excellent external mechanical protective body and long term dielectric performance. This unit is a multiple use device and can be used on high voltage if insulated by the high voltage insulation of the cable or bushing.



Accuracy

JRS s are available with single or dual or multi ratios with meter accuracy range of 0.3 @ B 0.1 through B0.9 or relay accuracy of C100. The performance of the correctly specified **JRS** will insure desired relay operation. Rating factors are normally 1.5 for this product.

Testing

Every transformer is tested in accordance with IEEE STD C57.13 (Latest revision). Every transformer is checked for accuracy at various stages of manufacture. Comparisons are made with standards traceable to NIST to validate accuracy performance for all CTs. Relay ("C" classification rating) performance is verified by excitation measurements.

Specification Requirements

When specifying a **JRS** the following information is useful to the design engineer in satisfying your needs:

1. Ratio.
2. Winding type and taps, if needed.
3. Accuracy and burden rating i.e.
Relay C100 or Meter: 0.3 @ B0.9 .
4. Window size, Height and Width.
5. Mounting needs and space available.

Performance

Performance characteristics can be provided as required. See the reverse of this sheet for additional information. It should be noted that other ratios and performance can be provided which may cause the physical dimensions to be different.

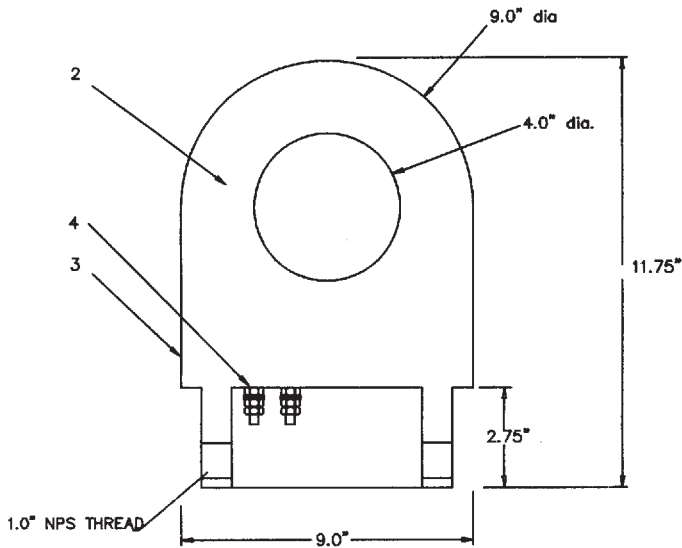
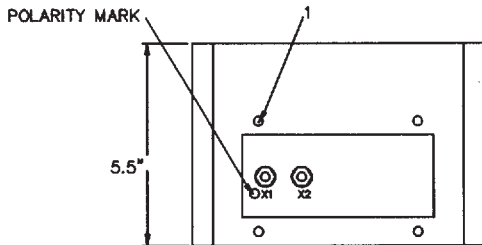
600-19



Recloser Current Transformer

200:5 amperes through 1,200:5 amperes

Call factory for ratios or sizes beyond those listed here.



Primary	Sec.	Accuracy	Catalog Number *
200	: 5	C25	C90S020C025LHT3
400	: 5	C50	C90S040C050LHT3
600	: 5	C100	C90S060C100LHT3
800	: 5	C100	C90S080C100LHT3
1,200	: 5	C100	C90S120C100LHT3
200 / 400	: 5	C25 / C50	C90D040C050LHT3
300 / 600	: 5	C25 / C50	C90D060C050LHT3
400 / 800	: 5	C50 / 100	C90D080C100LHT3
600 / 1200	: 5	C50 / 100	C90D120C100LHT3
200	: 5	0.6 @ B0.1	C90S040M601LHT3
400	: 5	0.3 @ B0.9	C90S040M309LHT3
600	: 5	0.3 @ B0.9	C90S060M309LHT3
800	: 5	0.3 @ B0.9	C90S080M309LHT3
1,200	: 5	0.3 @ B0.9	C90S120M309LHT3
200 / 400	: 5	0.3 @ B0.9	C90D040M309LHT3
300 / 600	: 5	0.3 @ B0.9	C90D060M309LHT3
400 / 800	: 5	0.3 @ B0.9	C90D080M309LHT3
600 / 1200	: 5	0.3 @ B0.9	C90D120M309LHT3

Listed accuracy for dual ratio metering accuracy units is for top ratio only.

*Consult factory before making a size selection. Last three digits of catalog indicate unit size.

HT3 = 4.0 ID x 9.0 OD x 5.5 H

This information is subject to change without notice. Not responsible for typographical errors.

Specifications (Typical)

Model	JRS-907
A =	9.0
B =	4.0
C =	5.5
D =	11.8
Weight (lbs)	Varies

Description

1. Cover mounting locations.
2. Winding assembly.
3. Nameplate.
4. Secondary terminals

600-20

Rated and configured for various recloser applications.

Call for special needs.

Instrument Transformer Equipment Corporation, PO Box 23088, Charlotte NC 28227-0272

Tel: (704) 282-4331

www.itec-ctvt.com

Fax: (704) 283-3017

Email sales@itec-ctvt.com