



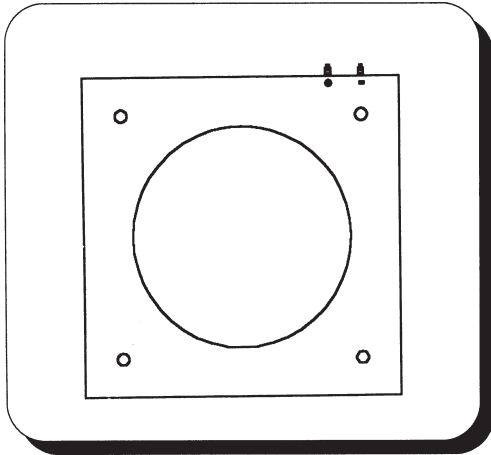
Switchgear Current Transformer
2,000:5 amperes through 10,000:5 amperes

Application

CPS-975 Switchgear indoor current transformer specifically designed for the user who needs current readings for either metering or relay applications inside an enclosure. This unit is ideal for use when mounted to the cubicle wall or over a bushing shank. Also, installation on an insulated bus or cable can easily be made with this rugged unit. **CPS** provides meter or relay accuracy as specified in the related data tables. Depending on window size the **CPS** is available up to 10,000 amperes.

Fabrication

The core is made of a toroidally wound grain oriented high permeability silicon steel having low losses to optimize performance and physical size of the transformer. Secondary windings insulated with high grade insulation are made of 100% copper wire and assembled on to the core prior to molding. The molded exterior adds protection from moisture, and also improves the basic dielectric performance. Clearly identified secondary winding terminations are typically screw terminals which are shorted before shipment for protection and should be removed when the unit is placed in service. **CPS**s may be mounted in any position. This unit is a multiple use device that must always be installed on an insulated conductor or cable.



Accuracy

CPSs are available with single or dual ratios with meter accuracy range of 0.3 @ B 0.1 through B1.8 or relay accuracy of C200. The performance of the correctly specified **CPS** will insure desired relay operation. Rating factors are normally 2.0 for ratios through 5,000:5, 1.5 at 6,000:5 and 1.33 up through 10,000:5.

Testing

Every transformer is tested in accordance with IEEE STD C57.13 (Latest revision). Every transformer is checked for accuracy at various stages of manufacture. Comparisons are made with standards traceable to NIST to validate accuracy performance for all CTs. Relay ("C" classification rating) performance is verified by excitation measurements.

Specification Requirements

When specifying a **CPS** the following information is useful to the design engineer in satisfying your needs:

1. Ratio.
2. Winding type and taps, if needed.
3. Accuracy and burden rating i.e.
Relay C100 or Meter: 0.3 @ B1.8 .
4. Window size, Height and Width.
5. Mounting needs and space available.

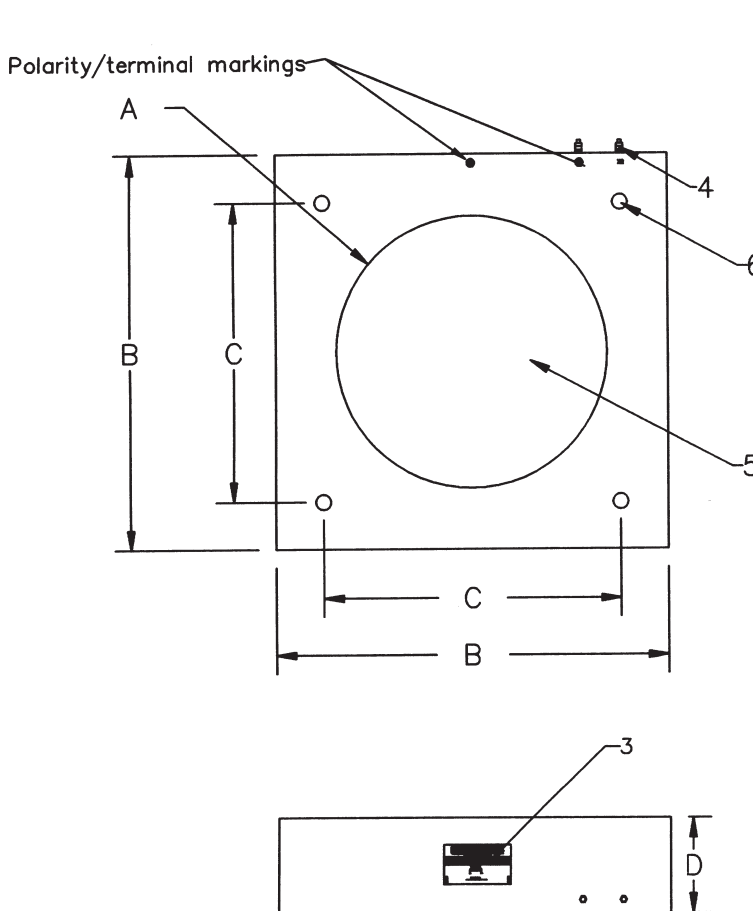
Performance

Performance characteristics can be provided as required. See the reverse of this sheet for additional information. It should be noted that other ratios and performance can be provided which may cause the physical dimensions to be different.

600-17

Switchgear Current Transformer
2000:5 amperes through 10,000:5 amperes

Call factory for ratios or sizes outside those listed here.



Primary	Sec.	Accuracy	Catalog Number
2,000	: 5	C200	C97S200C2002H00
2,500	: 5	C200	C97S250C2002H00
3,000	: 5	C200	C97S300C2002H00
4,000	: 5	C200	C97S400C2002H00
5,000	: 5	C200	C97S500C2002H00
6,000	: 5	C200	C97S600C200LH00
8,000	: 5	C200	C97S800C200KH00
10,000	: 5	C200	C97S10KC200KH00
2,000	: 5	0.3 @ B1.8	C97S200M3182H00
2,500	: 5	0.3 @ B1.8	C97S250M3182H00
3,000	: 5	0.3 @ B1.8	C97S300M3182H00
4,000	: 5	0.3 @ B1.8	C97S400M3182H00
5,000	: 5	0.3 @ B1.8	C97S500M3182H00
6,000	: 5	0.3 @ B1.8	C97S600M318LH00
8,000	: 5	0.3 @ B1.8	C97S800M318KH00
10,000	: 5	0.3 @ B1.8	C97S10KM318KH00

This information is subject to change without notice. Not responsible for typographical errors.

Specifications (Typical)

Model	CPS-975
A =	10"
B =	14.5"
C =	3.5"
D =	11"
Weight (lbs)	Varies

Description

1. Winding assembly.
2. Core.
3. Nameplate.
4. Secondary terminals.
5. Window.
6. Mounting holes.

600-18 Size and ratio can be configured for your needs. Contact factory for special needs.

Instrument Transformer Equipment Corporation, PO Box 23088, Charlotte NC 28227-0272

Tel: (704) 282-4331

www.itec-ctvt.com

Fax: (704) 283-3017

E-mail sales@itec-ctvt.com