

Auxiliary Current Transformer

30 : 0.1 amperes through 0.1 : 30 amperes

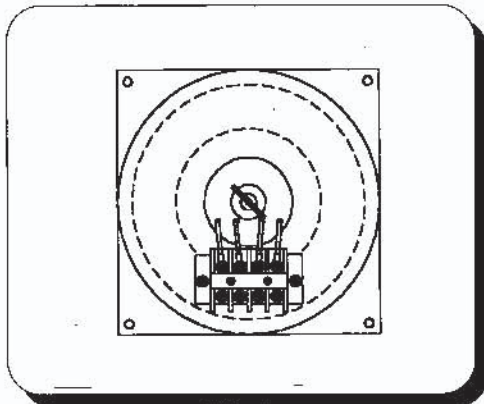
Application

TMM-918 toroidal indoor or enclosure mounted auxiliary current transformer is specifically designed for applications where low losses are needed. The low reactance of this product will demonstrate better circuit performance when a user completes appropriate relay circuit application calculations. Coupled with this low reactance and its high C200 relay accuracy capability the **TMM-918** is able to drive a wide range of devices. When used as an auxiliary CT it provides the ability to change effective ratios of existing CTs by being connected across a main CT output and it can be suitable for either meter or relay applications. **TMM-918** operating range is from a few milliamperes up to 30 amperes on the either primary or secondary. These conservative designs insure desired performance with a safety margin at the IEEE 20 X normal current operating requirement. This unit is also well suited for applications in switchgear assemblies, general current sensing, and monitoring where size and weight are important considerations.

Fabrication

The toroidal core is made of grain oriented silicon steel.

Primary windings are wound type with wound secondaries that are wound on an insulated core prior to impregnation. Impregnation adds protection from moisture, and also improves basic dielectric performance. Primary and secondary windings are terminated to a secondary terminal block unless otherwise specified by the customer. Connection markings are clearly identified. **TMM** may be mounted in any position.



Accuracy

TMM is available for meter accuracy or relay accuracy of up to C200. Performance of the correctly specified **TMM-918** will insure desired relay operation. Rating factors are normally 1.5 for ratios below 20:5 and is 1.0 for ratios at and above 20 :5.

Testing

Every transformer is tested in accordance with IEEE STD C57.13 (Latest revision). Both meter and relay current transformers are checked for ratio accuracy at various stages of manufacture. Test comparisons are made with standards traceable to NIST to validate ratio accuracy performance for all CTs. For relay ("C" classification rating) CT performance is verified by excitation measurements.

Specification Requirements

When specifying a **TMM** the following information is useful to the design engineer in satisfying your needs:

1. Ratio (Note: Many non-standard and unusual ratios are available to provide ratio matching for each application need.)
2. Primary and Secondary Currents.
3. Step-up, Step-down or Isolation configuration.
4. Winding taps, if needed.
5. Accuracy and burden rating i.e.
 Relay: up to C200
 Meter: 0.3@B0.1 or other accuracy levels depending on the type of application.
6. Mounting needs and space available.

600-11

Instrument Transformer Equipment Corporation, PO Box 23088, Charlotte NC 28227-0272

Tel: (704) 282-4331

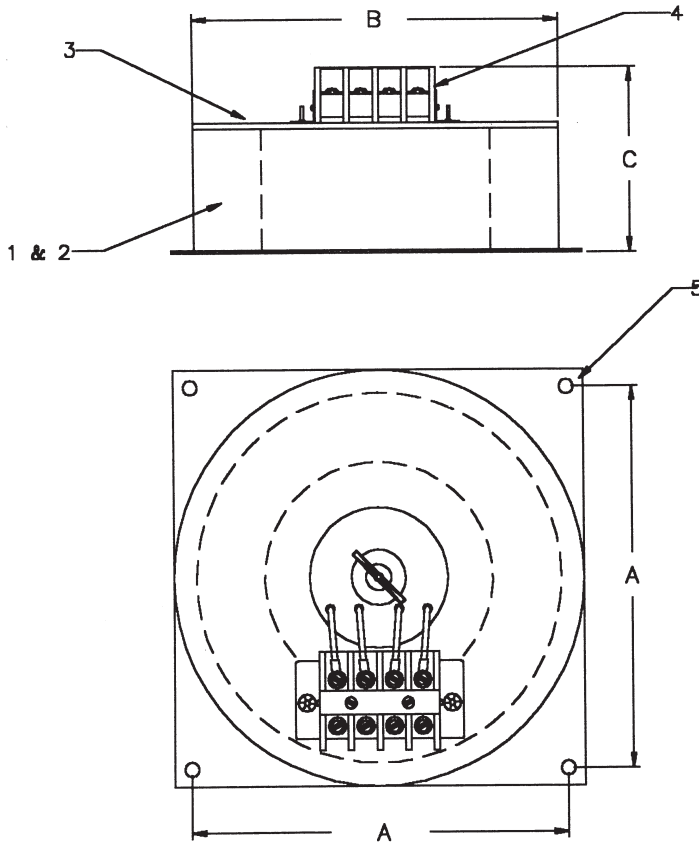
www.itec-ctvt.com

Fax: (704) 283-3017

E-mail sales@itec-ctvt.com

**Auxiliary Current Transformer
30 : 0.1 amperes through 0.1 : 30 amperes**

Call factory for ratios or accuracy above or below those listed here.
Step up or step down designs available.



C100

30 : 5	AT5557C10R10H01
25 : 5	AT5558C10R10H01
20 : 5	AT5559C10R10H01
15 : 5	AT5560C10R15H01
10 : 5	AT5561C10R15H01
7.5 : 5	AT5562C10R15H01
5 : 5	AT5563C10R15H01
5 : 2.5	AT5565C10R15H01
5 : 7.5	AT5567C10R15H01
5 : 10	AT5568C10R15H01
5 : 20	AT5569C10R10H01
5 : 25	AT5570C10R10H01
5 : 30	AT5571C10R10H01

C200

30 : 5	AT5507C20R10H01
25 : 5	AT5508C20R10H01
20 : 5	AT5509C20R10H01
15 : 5	AT5510C20R15H01
10 : 5	AT5511C20R15H01
7.5 : 5	AT5512C20R15H01
5 : 5	AT5513C20R15H01
5 : 2.5	AT5535C20R15H01
5 : 7.5	AT5537C20R15H01
5 : 10	AT5538C20R15H01
5 : 20	AT5539C20R10H01
5 : 25	AT5540C20R10H01
5 : 30	AT5541C20R10H01

This information is subject to change without notice. Not responsible for typographical errors.

Specifications (Typical)

Model	TMM-918	TMM-918
Relay Accy	C100	C200
A = Mount	Varies	Varies
B = OD	6	6
C = H	4	5
Weight (lbs)	Varies	Varies

Description

1. Winding assembly.
2. Core.
3. Nameplate.
4. Terminal block.
5. Mounting location.

Note- change last two digits to "H00" to specify six inch flying leads.

Note: Internal burden information is available by contacting the factory.

600-12

Contact factory for additional information on the selection of this unit.

Instrument Transformer Equipment Corporation, PO Box 23088, Charlotte NC 28227-0272

Tel: (704) 282-4331

www.itec-ctvt.com

Fax : (704) 283-3017

E-mail sales@itec-ctvt.com